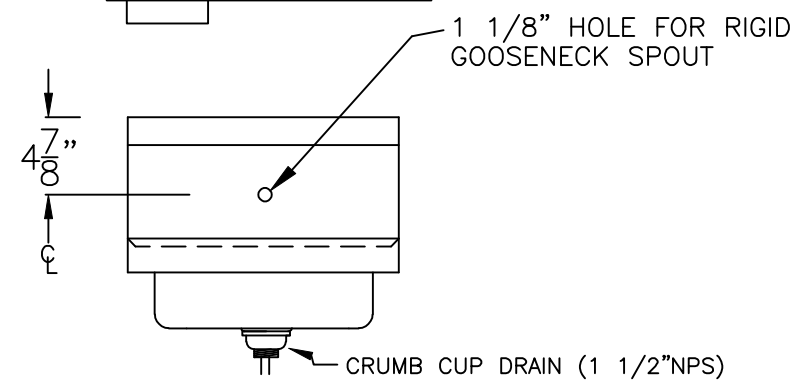
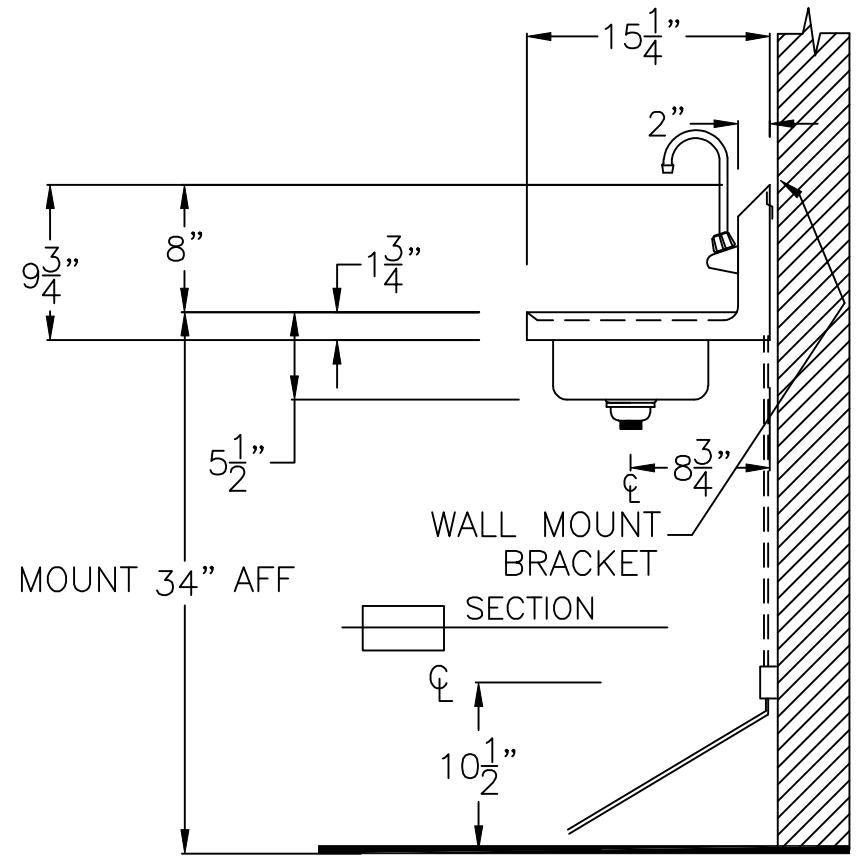


PLAN VIEW



FRONT VIEW



SECTION

SPECIFICATIONS	
BOWL TO BE 18 GA. DIE STAMPED 304 STAINLESS STEEL	

ACCESSORIES	
#9127 COMBINATION PACKAGE WITH	
#3176 WALL MOUNT FOOT PEDAL	
#3916 RIGID GOOSENECK FAUCET	
CRUMB CUP DRAIN - 1 1/2" NPS	
WALL MOUNT BRACKET	

DH-18 HANDSINK			
Item Description: WALL MOUNT /FOOT PEDAL HANDSINK			
Sheet Description:			
Item #	Date:	Engineer:	
	2006	RAH	
Sales Order #	Drawing # MMS.-1090-01-02-JB	Sheet #	
	MMS-1090		

Amtekco
INDUSTRIES, INC.

MANUFACTURERS OF QUALITY PRODUCTS FOR THE FOOD MARKETING INDUSTRY
1205 Regatta Road, Columbus, Ohio 43207
(614) 228-5590 Fax (614) 737-8016